

SupIR 19-200mm f/4.0, Motorized Continuous Focus 680209*



WFOV(19mm)

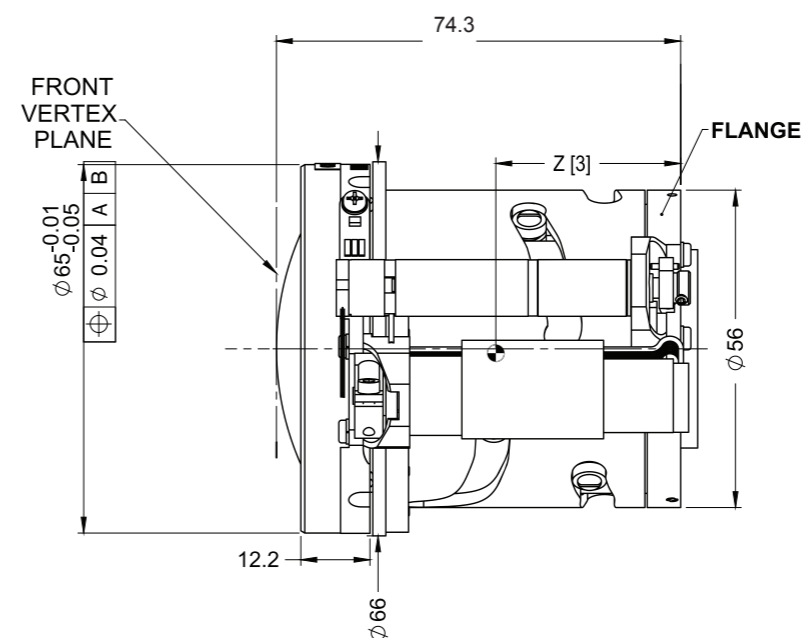
HFOV(deg)	320x240	480x384	640x512
30μ	29.7		
20μ	19.6	29.7	
15μ	14.6	22.1	29.7

NFOV(200mm)

HFOV(deg)	320x240	480x384	640x512
30μ	2.8		
20μ	1.9	2.8	
15μ	1.4	2.1	2.8

Property	Value	
Optical	WFOV	NFOV
Focal Length	19mm	200mm
F/#	4.0	
Cold Stop to FPA Distance	19.4mm	
Cold Stop CA	Ø4.85mm	
Average Transmission (3.4-5.0μm)	≥ 84% for HCLR coating; ≥ 87% for HD coating	
Back Focal Length	25.1mm in air	
Distortion	<7%	<5%
Minimum Focus Range	5m	50m
Nuc (by defocus)	Yes	
Mechanical		
Focus Mechanism	Motorized	
Focus Time (minimum range to ∞)	≤ 1 sec.	
Zoom Mechanism	Motorized	
Zoom Time (NFOV to WFOV)	≤ 7 sec at -32°C; ≤ 5 sec at T ≥ 0°C (at max. speed)	
Weight	400gr	
Max. Dimensions	Ø65mm x 74.3mm	

TYPICAL ICD



Property	Value
Electrical	
Lens Control	Designated lens controller
Drive Voltage	6-12VDC
Current Consumption	< 0.5A average, 1.0A peak
Communication Protocol	RS422
Environmental	
Operating Temperature	-32°C to +75°C
Storage Temperature	-54°C to +85°C
Sealing	IP 67 front element only
Configurations	
680209-001	High Durability FPA 640x512 pixels 15μ pitch
680209-002	Hard Carbon Low Reflection FPA 640x512 pixels 15m pitch

* Requires export license